

Online Data Sheet

Encoder WDG 58D - Discontinued product

www.wachendorff-automation.com/wdg58d

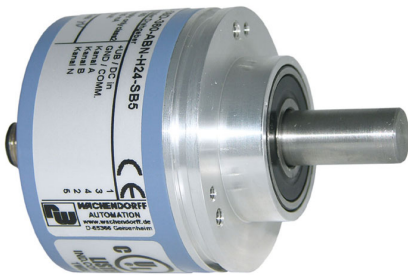
Wachendorff Automation

... systems and encoders

- Complete systems
- Industrial rugged encoders to suit your application
- Standard range and customer versions
- Maximum permissible loads
- 48-hour express production
- Made in Germany
- Worldwide distributor network

Encoder WDG 58D

Discontinued product



- Rugged industrial standard encoder
- Up to 25000 PPR by use of high grad electronics
- Protection to IP67, shaft sealed to IP65
- High noise immunity
- High shaft load radial 400N, axial 400N
- Maximum mechanical and electrical safety
- Full connection protection with 10 VDC up to 30 VDC
- With light reserve warning
- Optional: -40 °C up to +80 °C

www.wachendorff-automation.com/wdg58d

Resolution

Max. pulses per revolution PPR	up to 25000 PPR
--------------------------------	-----------------

Mechanical Data

Housing

Flange	clamping flange
Flange material	aluminium
Housing cap	aluminium, powder coated
Housing	Ø 58 mm
Cam mounting	pitch 69 mm

Shaft(s)

Shaft material	stainless steel
Starting torque	approx. 1 Ncm at ambient temperature

Shaft	Ø 12 mm
Shaft length	L: 25 mm
Max. Permissible shaft loading radial	400 N
Max. Permissible shaft loading axial	400 N

Bearings

Bearings type	2 precision ball bearings
Nominal service life	4 x 10 ⁸ revs. at 100 % rated shaft load 6 x 10 ⁹ revs. at 40 % rated shaft load 5 x 10 ¹⁰ revs. at 20 % rated shaft load
Max. operating speed	8000 rpm

Machinery Directive: basic data safety integrity level

MTTF _d	200 a
Mission time (TM)	25 a
Nominal service life (L10h)	5 x 10 ¹⁰ revs. at 20 % rated shaft load and 8000 rpm
Diagnostic coverage (DC)	0 %

Electrical Data

Power supply/Current consumption	4,75 VDC up to 5,5 VDC: max. 100 mA
Power supply/Current consumption	5 VDC up to 30 VDC: max. 70 mA
Power supply/Current consumption	10 VDC up to 30 VDC: max. 100 mA

Output circuit	TTL TTL, RS422 compatible, inv. HTL HTL, inv. 1 Vpp sin/cos
Pulse frequency	TTL 5000 ppr: max. 200 kHz HTL 5000 ppr: max. 200 kHz TTL more than 1200 ppr: max. 2 MHz HTL more than 1200 ppr: max. 600 kHz 1 Vpp sin/cos: max. 100 kHz
Channels	AB ABN and inverted signals
Load	max. 40 mA / channel @ 1 Vpp sin/cos: min. 120 Ohm
Circuit protection	circuit type F24, G24, H24, I24, P24, R24 only

Accuracy

Phase offset	90° ± max. 7.5 % of the pulse length
pulse-/pause-ratio	5000 ppr: 50 % ± max. 7 % >5000 ppr: 50 % ± max. 10 %

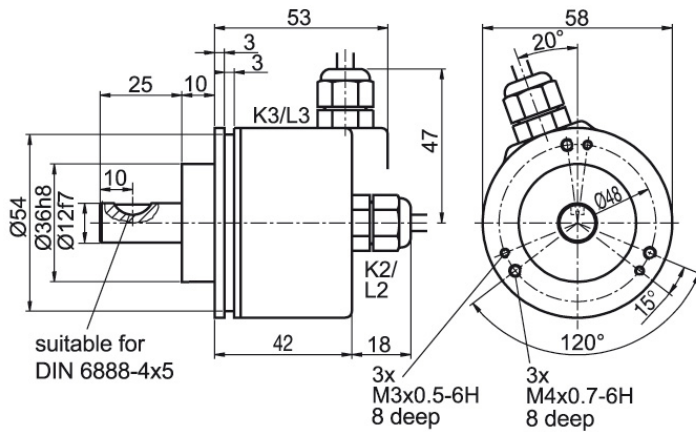
General Data

Weight	approx. 250 g
Connections	cable or connector outlet
Protection rating (EN 60529)	IP67, shaft sealed to IP65 (IP65 all around with S7)
Operating temperature	Connector: -20 °C up to +85 °C, cable: -20 °C up to -80 °C, (Option ACA: -40 °C up to +85 °C) 1 Vpp: -10 °C up to +70 °C
Storage temperature	Connector: -30 °C up to +85 °C, cable: -20 °C up to +80 °C, option ACA: -40 °C up to +85 °C

More Information

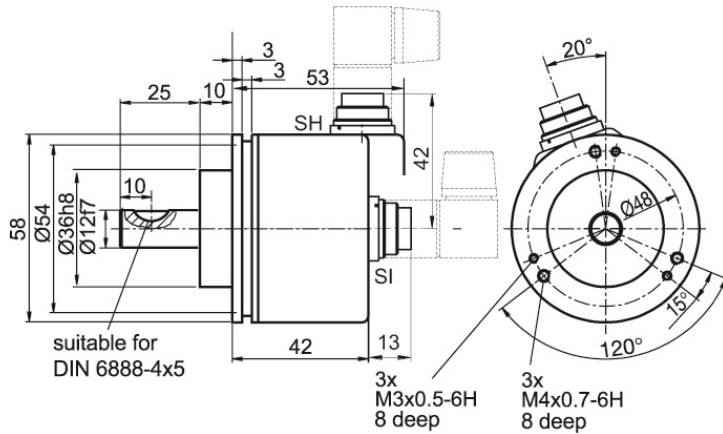
General technical data
<http://www.wachendorff-automation.com/gtd>

Options
<http://www.wachendorff-automation.com/acc>

Cable connection K2, K3, L2, L3 with 2 m cable

Description
ABN inv. poss.

K2	axial, shield not connected	•
L2	axial, shield connected to encoder housing	•
K3	radial, shield not connected	•
L3	radial, shield connected to encoder housing	•

Assignments					
	K2, L2, K3, L3	K2, K3, L2, L3	K2, L2, K3, L3	K2, L2, K3, L3	K2, L2, K3, L3
Circuit	F05, H05, F24, H24, H30	G05, G24	I05, I24, 524	P05, R05, P24, R24, 245, 645, R30	SIN
GND	WH	WH	WH	WH	WH
(+) Vcc	BN	BN	BN	BN	BN
A	GN	GN	GN	GN	GN
B	YE	YE	YE	YE	GY
N	GY	GY	GY	GY	-
Light reserve warning	-	PK	PK	-	-
A inv.	-	-	RD	RD	YE
B inv.	-	-	BK, (BU at ACA)	BK, (BU at ACA)	PK
N inv.	-	-	VT	VT	-
Shield	flex	flex	flex	flex	flex

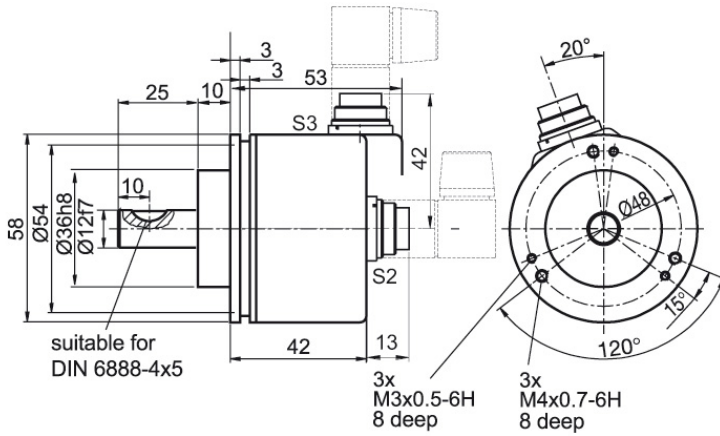
Connector (M16x0.75) SI, SH, 5-, 6-, 8-, 12-pin

Description
ABN inv. poss.

SI5	axial, 5-pin, Connector connected to encoder housing	-
SH5	radial, 5-pin, Connector connected to encoder housing	-
SI6	axial, 6-pin, Connector connected to encoder housing	-
SH6	radial, 6-pin, Connector connected to encoder housing	-
SI8	axial, 8-pin, Connector connected to encoder housing	•
SH8	radial, 8-pin, Connector connected to encoder housing	•
SI12	axial, 12-pin, Connector connected to encoder housing	•
SH12	radial, 12-pin, Connector connected to encoder housing	•

Assignments

	SI5, SH5	SI6, SH6	SI6, SH6	SI8, SH8	SI8, SH8	SI8, SH8	SI12, SH12	SI12, SH12	SI12, SH12	SI12, SH12
	5-pin	6-pin	6-pin	8-pin	8-pin	8-pin	12-pin	12-pin	12-pin	12-pin
Circuit	F05, H05, F24, H24, H30	G05, G24	F05, H05, F24, H24, H30	F05, H05, F24, H24, H30	P05, R05, P24, R24, R30, 245, 645	SIN	G05, G24	F05, H05, F24, H24, H30	P05, R05, P24, R24, 245, 645, R30	SIN
GND	1	6	6	1	1	1	K, L	K, L	K, L	K, L
(+) Vcc	2	1	1	2	2	2	M, B	M, B	M, B	M, B
A	3	2	2	3	3	3	E	E	E	E
B	4	4	4	4	4	4	H	H	H	H
N	5	3	3	5	5	-	C	C	C	-
Light reserve warning	-	5	-	-	-	-	G	-	-	-
A inv.	-	-	-	-	6	6	-	-	F	F
B inv.	-	-	-	-	7	7	-	-	A	A
N inv.	-	-	-	-	8	-	-	-	D	-
n. c.	-	-	5	6, 7, 8	-	5, 8	A, D, F, J	A, D, F, G, J	G, J	D, G, J
Shield	-	-	-	-	-	-	-	-	-	-

Connector (M16x0.75) S2, S3, 7-pin

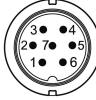
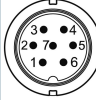


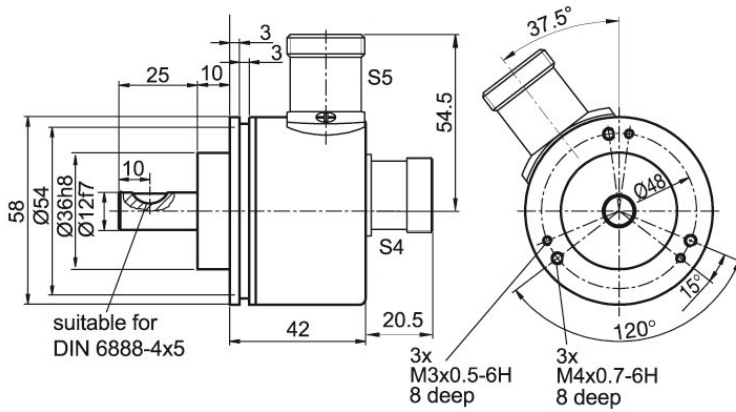
Description

ABN inv. poss.

S2	axial, 7-pin, Connector connected to encoder housing	-
S3	radial, 7-pin, Connector connected to encoder housing	-

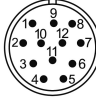
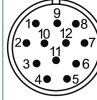
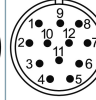
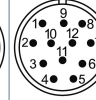
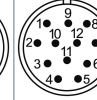
Assignments

	S2, S3 7-pin	S2, S3 7-pin
		
Circuit	G05, G24	F05, H05, F24, H24, H30
GND	1	1
(+) Vcc	2	2
A	3	3
B	4	4
N	5	5
Light reserve warning	6	-
A inv.	-	-
B inv.	-	-
N inv.	-	-
n. c.	7	6, 7
Shield	-	-

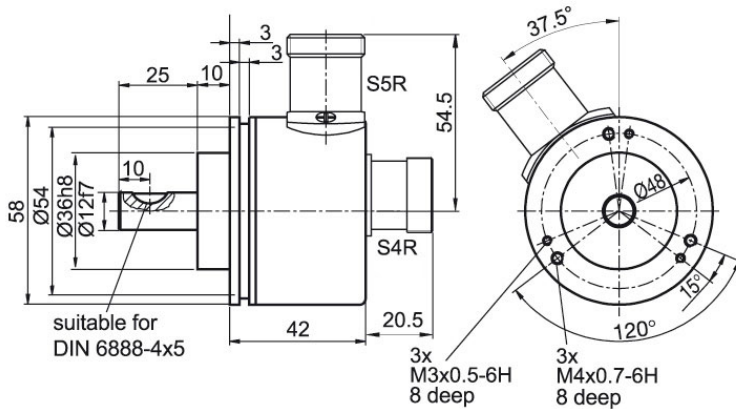
Connector (M23) S4, S5, 12-pin

Description
ABN inv. poss.

- S4** axial, 12-pin, Connector connected to encoder housing •
- S5** radial, 12-pin, Connector connected to encoder housing •

Assignments

	S4, S5	S4, S5	S4, S5	S4, S5	S4, S5
	12-pin	12-pin	12-pin	12-pin	12-pin
					
Circuit	G05, G24	F05, H05, F24, H24, H30	I05, I24, 524	P05, R05, P24, R24, 245, 645, R30	SIN
GND	10	10	10	10	10
(+) Vcc	12	12	12	12	12
A	5	5	5	5	5
B	8	8	8	8	8
N	3	3	3	3	-
Light reserve warning	11	-	11	-	-
A inv.	-	-	6	6	6
B inv.	-	-	1	1	1
N inv.	-	-	4	4	-
n. c.	1, 2, 4, 6, 7, 9	1, 2, 4, 6, 7, 9, 11	2, 7, 9	2, 7, 9, 11	2, 3, 4, 7, 9, 11
Shield	-	-	-	-	-

Connector (M23) S4R, S5R, 12-pin (clockwise)

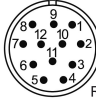
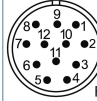
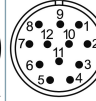
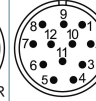
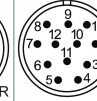


Description

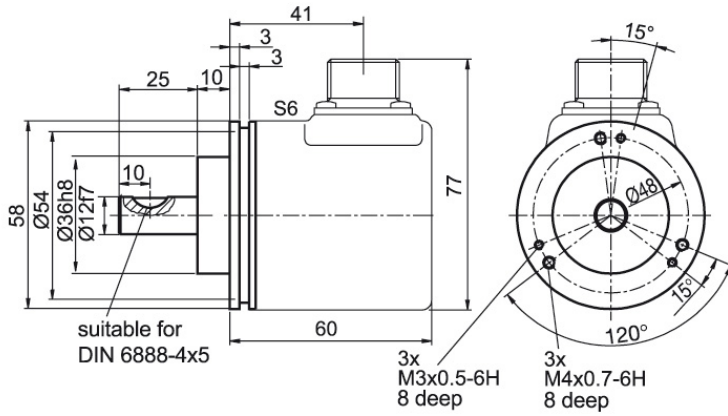
ABN inv. poss.

- S4R** axial, 12-pin, Connector connected to encoder housing
- S5R** radial, 12-pin, Connector connected to encoder housing

-
-

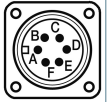

Assignments					
	S4R, S5R	S4R, S5R	S4R, S5R	S4R, S5R	S4R, S5R
	12-pin	12-pin	12-pin	12-pin	12-pin
					
Circuit	G05, G24	F05, H05, F24, H24, H30	I05, I24, 524	P05, R05, P24, R24, 245, 645, R30	SIN
GND	10	10	10	10	10
(+) Vcc	12	12	12	12	12
A	5	5	5	5	5
B	8	8	8	8	8
N	3	3	3	3	-
Light reserve warning	11	-	11	-	-
A inv.	-	-	6	6	6
B inv.	-	-	1	1	1
N inv.	-	-	4	4	-
n. c.	1, 2, 4, 6, 7, 9	1, 2, 4, 6, 7, 9, 11	2, 7, 9	2, 7, 9, 11	2, 3, 4, 7, 9, 11
Shield	-	-	-	-	-

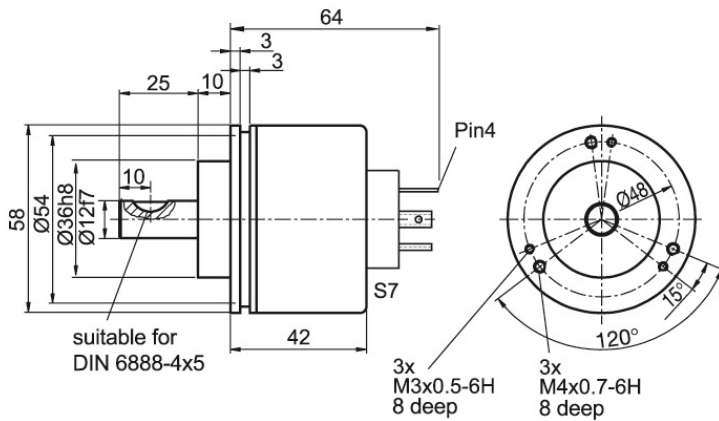
MIL-connector S6, 6-pin




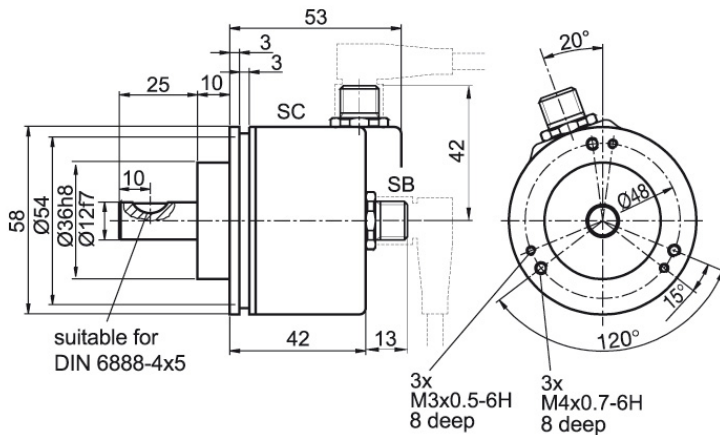
Description

ABN inv. poss.

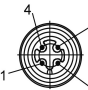



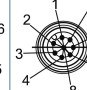


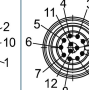
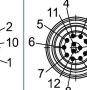
Assignments		
	6-pin	6-pin
		
Circuit	G05, G24	F05, H05, F24, H24, H30
GND	A	A
(+) Vcc	F	F
A	C	C
B	B	B
N	D	D
Light reserve warning	E	-
A inv.	-	-
B inv.	-	-
N inv.	-	-
n. c.	-	E
Shield	-	-

Valve-connector (IP65) S7, 4-pin

Description
ABN inv. poss.

Assignments	
	4-pin
	
Circuit	F05, H05, F24, H24, H30
GND	1
(+) Vcc	2
A	3
B	4
N	-
Light reserve warning	-
A inv.	-
B inv.	-
N inv.	-
n. c.	-
Shield	-

Sensor-connector (M12x1) SB, SC, 4-, 5-, 8-, 12-pin


Description	ABN inv. poss.
SB4 axial, 4-pin, Connector connected to encoder housing	-
SC4 radial, 4-pin, Connector connected to encoder housing	-
SB5 axial, 5-pin, Connector connected to encoder housing	-
SC5 radial, 5-pin, Connector connected to encoder housing	-
SB8 axial, 8-pin, Connector connected to encoder housing	•
SC8 radial, 8-pin, Connector connected to encoder housing	•
SB12 axial, 12-pin, Connector connected to encoder housing	•
SC12 radial, 12-pin, Connector connected to encoder housing	•

Assignments	SB4, SC4	SB5, SC5	SB8, SC8	SB8, SC8	SB8, SC8	SB12, SC12	SB12, SC12	SB12, SC12	SB12, SC12
	4-pin	5-pin	8-pin	8-pin	8-pin	12-pin	12-pin	12-pin	12-pin
									
Circuit	F05, H05, F24, H24, H30	F05, H05, F24, H24, H30	F05, H05, F24, H24, H30	P05, R05, P24, R24, R30, 245, 645	SIN	G05, G24	F05, H05, F24, H24, H30	I05, I24, 524	P05, R05, P24, R24, 245, 645, R30
GND	3	3	1	1	1	3	3	3	3
(+) Vcc	1	1	2	2	2	1	1	1	1
A	2	4	3	3	3	4	4	4	4
B	4	2	4	4	5	6	6	6	6
N	-	5	5	5	-	8	8	8	8
Light reserve warning	-	-	-	-	-	5	-	5	-
A inv.	-	-	-	6	4	-	-	9	9
B inv.	-	-	-	7	6	-	-	7	7
N inv.	-	-	-	8	-	-	-	10	10
n. c.	-	-	6, 7, 8	-	7, 8	2, 7, 9, 10, 11, 12	2, 5, 7, 9, 10, 11, 12	2, 11, 12	2, 5, 11, 12
Shield	-	-	-	-	-	-	-	-	-

Options

Low temperature

Order key

The encoder WDG 58D - Discontinued product with the output circuit types F24, G24, H24, I24, P24, R24, F05, G05, I05, H05, P05, R05, 245, 524, 645 is also available with the extended temperature range -40 °C up to +80 °C (measured at the flange).

Cable length

Order key

The encoder WDG 58D - Discontinued product can be supplied with more than 2 m cable. **XXX = Decimeter**
The maximum cable length depends on the supply voltage and the frequency; see www.wachendorff-automation.com/atd
Please extend the standard order code with a three figure number, specifying the cable length in decimetres.
Example: 5 m cable = 050

Example Order No.	Type				Your encoder
WDG 58D	WDG 58D				WDG 58D
Pulses per revolution PPR:					
5000	2, 5, 10, 15, 20, 24, 25, 30, 36, 40, 48, 50, 60, 64, 72, 87, 90, 100, 120, 125, 127, 128, 150, 160, 180, 200, 216, 236, 240, 250, 254, 256, 300, 314, 320, 360, 400, 500, 512, 600, 625, 720, 750, 768, 800, 810, 900, 1000, 1024, 1200, 1250, 1270, 1440, 1500, 1800, 2000, 2048, 2400, 2500, 3000, 3600, 4000, 4096, 4685, 5000, 10000, 12500, 20000, 25000 1 Vss Sin/Cos only 1024, 2048 Other PPRs on request				
Channels:					
ABN	AB, ABN (SIN: AB)				
Output circuit					
G24	Resolution PPR	Power supply VDC	Output circuit	Light reserve warning	Order key
	up to 2500	5 - 30	HTL	-	H30
		5 - 30	HTL inverted	-	R30
	up to 5000	4.75 - 5.5	TTL	•	G05
		4.75 - 5.5	TTL	-	H05
		4.75 - 5.5	TTL, RS422 comp., inverted	•	I05
		4.75 - 5.5	TTL, RS422 comp., inverted	-	R05
		10 - 30	HTL	•	G24
		10 - 30	HTL	-	H24
		10 - 30	HTL inverted	•	I24
		10 - 30	HTL inverted	-	R24
		10 - 30	TTL, RS422 comp., inverted	•	524
		10 - 30	TTL, RS422 comp., inverted	-	245
	(higher frequency) 1200 up to 25000	4.75 - 5.5	TTL	-	F05
		4.75 - 5.5	TTL, RS422 comp., inverted	-	P05
		10 - 30	HTL	-	F24
		10 - 30	HTL inverted	-	P24
		10 - 30	TTL, RS422 comp., inverted	-	645
	1024, 2048	4.75 - 5.5	1 Vpp sin/cos	-	SIN

Electrical connections				
Description	ABN inv. poss.	Order key		
Cable: length (2 m standard, WDG 58T: 1 m)				
axial, shield not connected	•	K2	K2	
axial, shield connected to encoder housing	•	L2		
radial, shield not connected	•	K3		
radial, shield connected to encoder housing	•	L3		
Connector: (shield connected to encoder housing)				
connector, M16x0.75, 5-pin, axial	-	SI5		
connector, M16x0.75, 5-pin, radial	-	SH5		
connector, M16x0.75, 6-pin, axial	-	SI6		
connector, M16x0.75, 6-pin, radial	-	SH6		
connector, M16x0.75, 8-pin, axial	•	SI8		
connector, M16x0.75, 8-pin, radial	•	SH8		
connector, M16x0.75, 12-pin, axial	•	SI12		
connector, M16x0.75, 12-pin, radial	•	SH12		
connector, M16x0.75, 7-pin, axial	-	S2		
connector, M16x0.75, 7-pin, radial	-	S3		
connector, M23, 12-pin, axial	•	S4		
connector, clockwise pin count, M23, 12-pin, axial	•	S4R		
connector, M23, 12-pin, radial	•	S5		
connector, clockwise pin count, M23, 12-pin, radial	•	S5R		
sensor-connector, M12x1, 4-pin, axial	-	SB4		
sensor-connector, M12x1, 4-pin, radial	-	SC4		
sensor-connector, M12x1, 5-pin, axial	-	SB5		
sensor-connector, M12x1, 5-pin, radial	-	SC5		
sensor-connector, M12x1, 8-pin, axial	•	SB8		
sensor-connector, M12x1, 8-pin, radial	•	SC8		
sensor-connector, M12x1, 12-pin, axial	•	SB12		
sensor-connector, M12x1, 12-pin, radial	•	SC12		
Options				
Description	Order key			
Without option	Empty			
Low temperature	ACA			
Cable length	XXX = Decimeter			

Example Order No. =	WDG 58D	5000	ABN	G24	K2							Your encoder
----------------------------	---------	------	-----	-----	----	--	--	--	--	--	--	---------------------



For further information please contact our local distributor.
Here you find a list of our distributors worldwide.
http://www.wachendorff-automation.com/distributors_worldwide.html



Wachendorff Automation GmbH & Co. KG
Industriestrasse 7 • D-65366 Geisenheim

Phone: +49 67 22 / 99 65 25
Fax: +49 67 22 / 99 65 70
E-Mail: wdg@wachendorff.de
www.wachendorff-automation.de

